

# C E R T I F I C A T E

## of Conformity

Registration No.: AK 50502381 0001

Report No.: 50213153 004

**Holder:** Ginlong technologies Co., Ltd.  
No.57 Jintong Road, Binhai,  
(seafront), Industrial Park,  
Xiangshan Ningbo  
315712 Zhejiang  
P.R. China

**Product:** PV-Inverter  
(Grid-connected PV Inverter)

**Identification:** Type Designation: S5-GR1P0.7K-M S5-GR1P1K-M S5-GR1P1.5K-M  
S5-GR1P2K-M S5-GR1P2.5K-M S5-GR1P3K-M  
S5-GR1P3.6K-M  
Serial Number : Engineering Samples  
Firmware Version: 04  
Remark(s) : Compliance with the requirement of  
RD 244/2019, Annex I. Refer to test  
report 50213153 004 for details.

**Tested acc. to:** UNE 217001:2020

The certificate of conformity refers to the above mentioned product. This is to certify that the specimen is in conformity with the assessment requirement mentioned above. This certificate does not imply assessment of the production of the product and does not permit the use of a TÜV Rheinland mark of conformity.

Date 26.04.2021

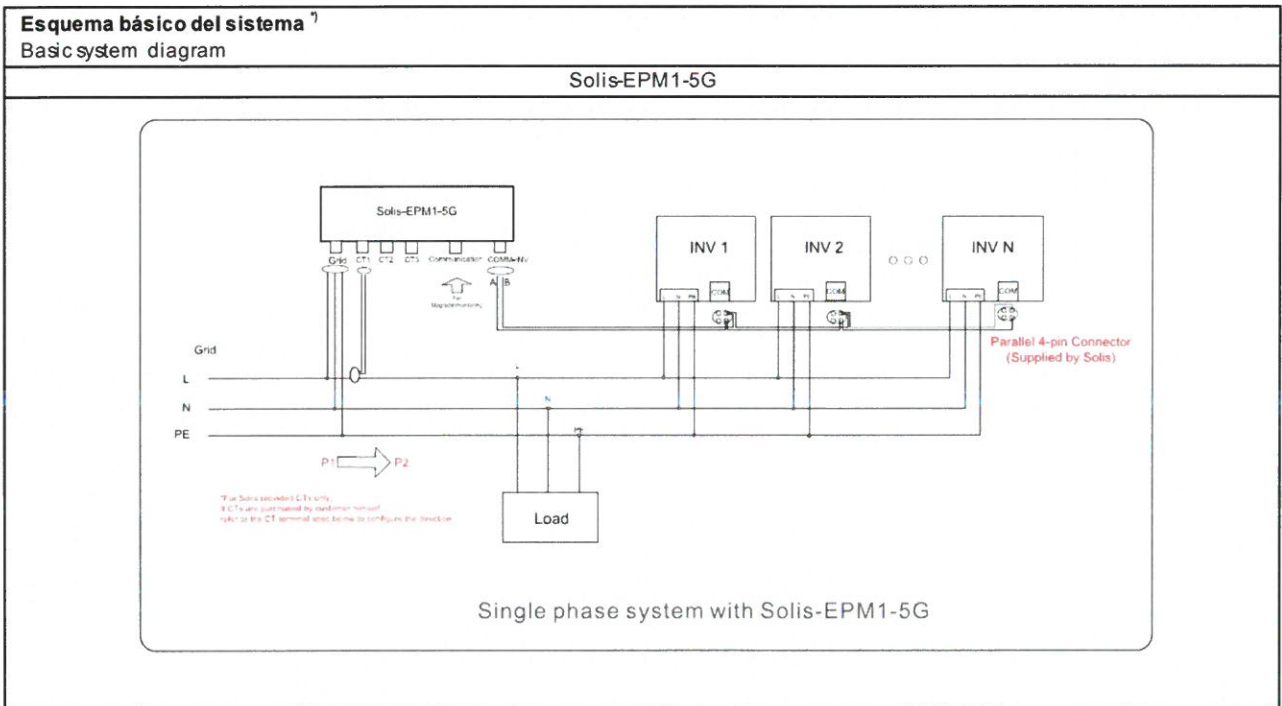
Certification Body  
  
TÜV Rheinland®  
Zertifizierungsstelle  
Weichun Li

TÜV Rheinland LGA Products GmbH - Tillystraße 2 - 90431 Nürnberg

Modelo Model	S5-GR1P0.7K-M	S5-GR1P1K-M	S5-GR1P1.5K-M	S5-GR1P2K-M
<b>Potencia nominal CA</b> Nominal AC Power	700 W	1000 W	1500 W	2000 W
<b>Tensión nominal CA</b> Nominal AC voltage	230 V	230 V	230 V	230 V
<b>Corriente máxima CA</b> Maximal AC current	4.4 A	5.2 A	8.1 A	10.5 A
<b>Frecuencia nominal</b> Nominal frequency	50 Hz	50 Hz	50 Hz	50 Hz
<b>Rango de tensión MPPT</b> MPPT voltage range	50-500V	50-500V	50-500V	80-500V
<b>Tensión CC máxima</b> Max. DC voltage	600 V	600 V	600 V	600 V
<b>Corriente DC máxima</b> Max. DC current	12.5 A	12.5 A	12.5 A	12.5 A
<b>Elemento de control</b> Control device	Controller in Inverter	Controller in Inverter	Controller in Inverter	Controller in Inverter
<b>Tipo de dispositivo de control</b> Type of control device	Integrated	Integrated	Integrated	Integrated

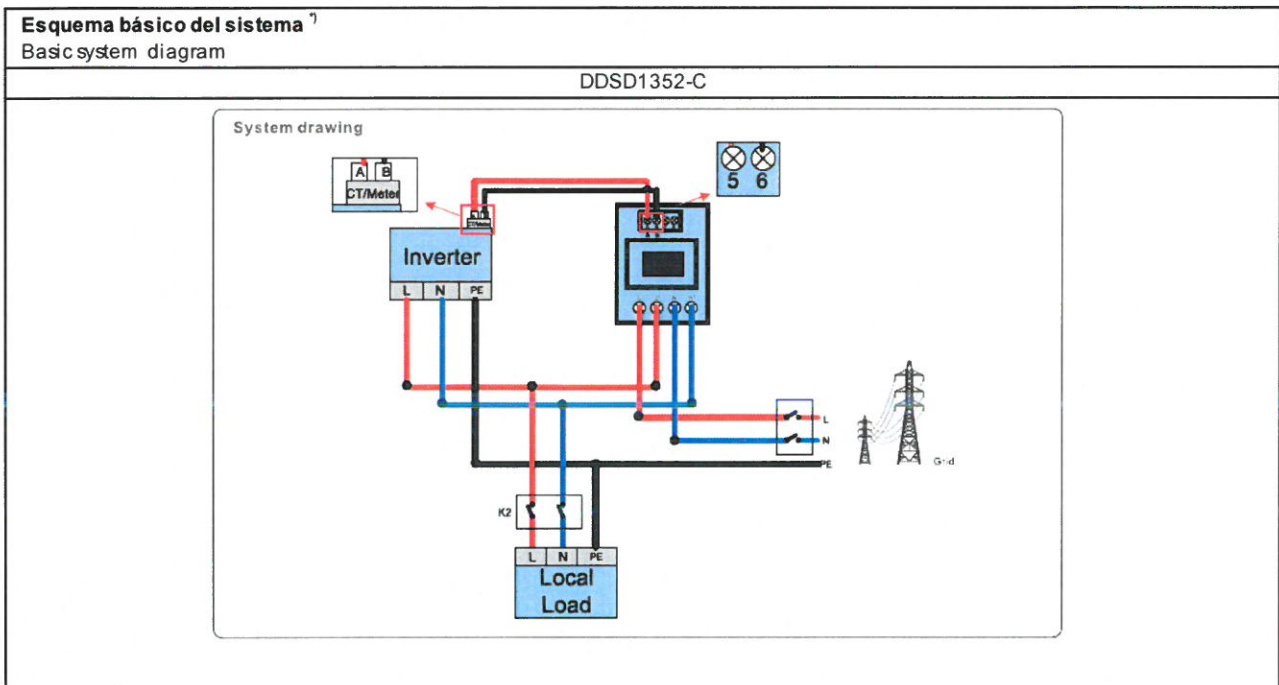
Modelo Model	S5-GR1P2.5K-M	S5-GR1P3K-M	S5-GR1P3.6K-M
<b>Potencia nominal CA</b> Nominal AC Power	2500 W	3000 W	3600 W
<b>Tensión nominal CA</b> Nominal AC voltage	230 V	230 V	230 V
<b>Corriente máxima CA</b> Maximal AC current	13.3 A	15.7 A	16.0 A
<b>Frecuencia nominal</b> Nominal frequency	50 Hz	50 Hz	50 Hz
<b>Rango de tensión MPPT</b> MPPT voltage range	80-500 V	80-500 V	80-500 V
<b>Tensión CC máxima</b> Max. DC voltage	600 V	600 V	600 V
<b>Corriente DC máxima</b> Max. DC current	12.5 A	12.5 A	19 A
<b>Elemento de control</b> Control device	Controller in Inverter	Controller in Inverter	Controller in Inverter
<b>Tipo de dispositivo de control</b> Type of control device	Integrated	Integrated	Integrated

<b>Información general del transductor de corriente externo / medidor de potencia <sup>1</sup></b> General information of external current transducer/ power meter	
<b>Modelo</b> Model	Solis-EPM1-5G
<b>Aplicación</b> Application	1 Phase
<b>Tensión nominal</b> Nominal voltage	230 Vac
<b>Corriente máxima</b> Max. current	5 A
<b>Clase de precisión</b> Class of accuracy	Class 1
<b>Tipo de comunicación</b> Type of communication	RS485



**\*) Para cumplir los requisitos de RD244: 2019 / ANEXO I y UNE 217001:2020, se instalará el dispositivo adicional.**  
For fulfill the requirements of RD244 : 2019/ ANEXO I and UNE 217001:2020, the additional device shall be installed.

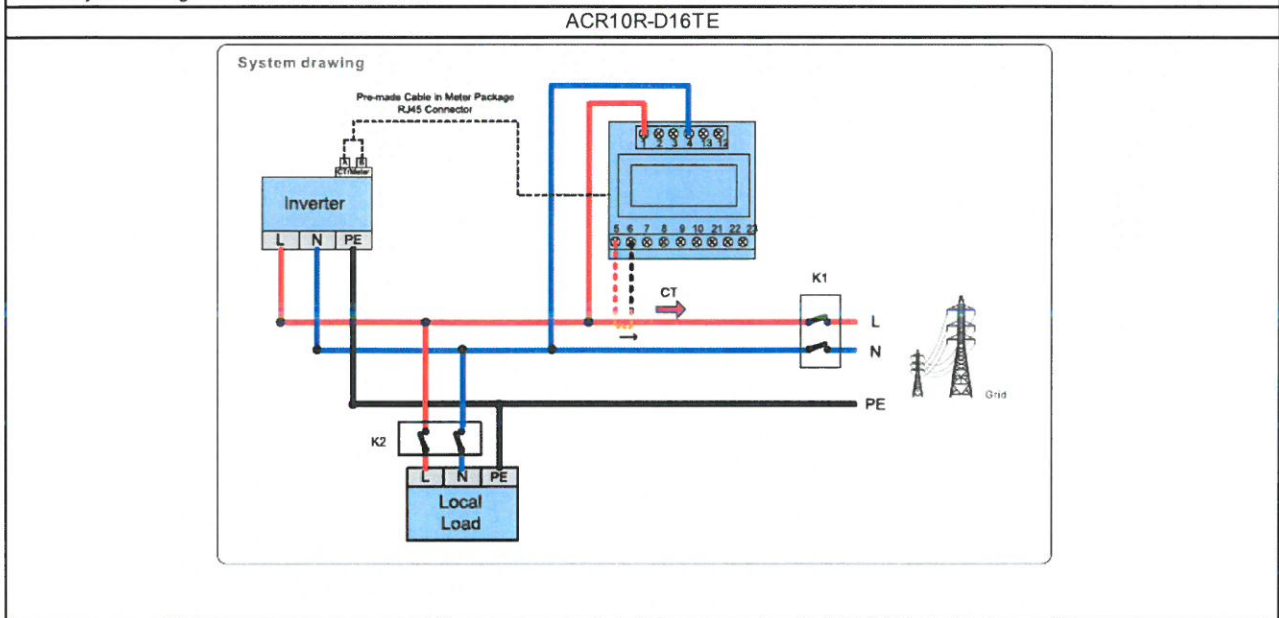
<b>Información general del transductor de corriente externo / medidor de potencia <sup>1</sup></b> General information of external current transductor/ power meter	
<b>Modelo</b> Model	DDSD1352-C
<b>Aplicación</b> Application	1 Phase
<b>Tensión nominal</b> Nominal voltage	230 Vac
<b>Corriente máxima</b> Max. current	63 A
<b>Clase de precisión</b> Class of accuracy	Class 1
<b>Tipo de comunicación</b> Type of communication	Meter



**\*) Para cumplir los requisitos de RD244:2019 / ANEXO I y UNE 217001:2020, se instalará el dispositivo adicional.**  
For fulfill the requirements of RD244 : 2019/ ANEXO I and UNE 217001:2020, the additional device shall be installed.

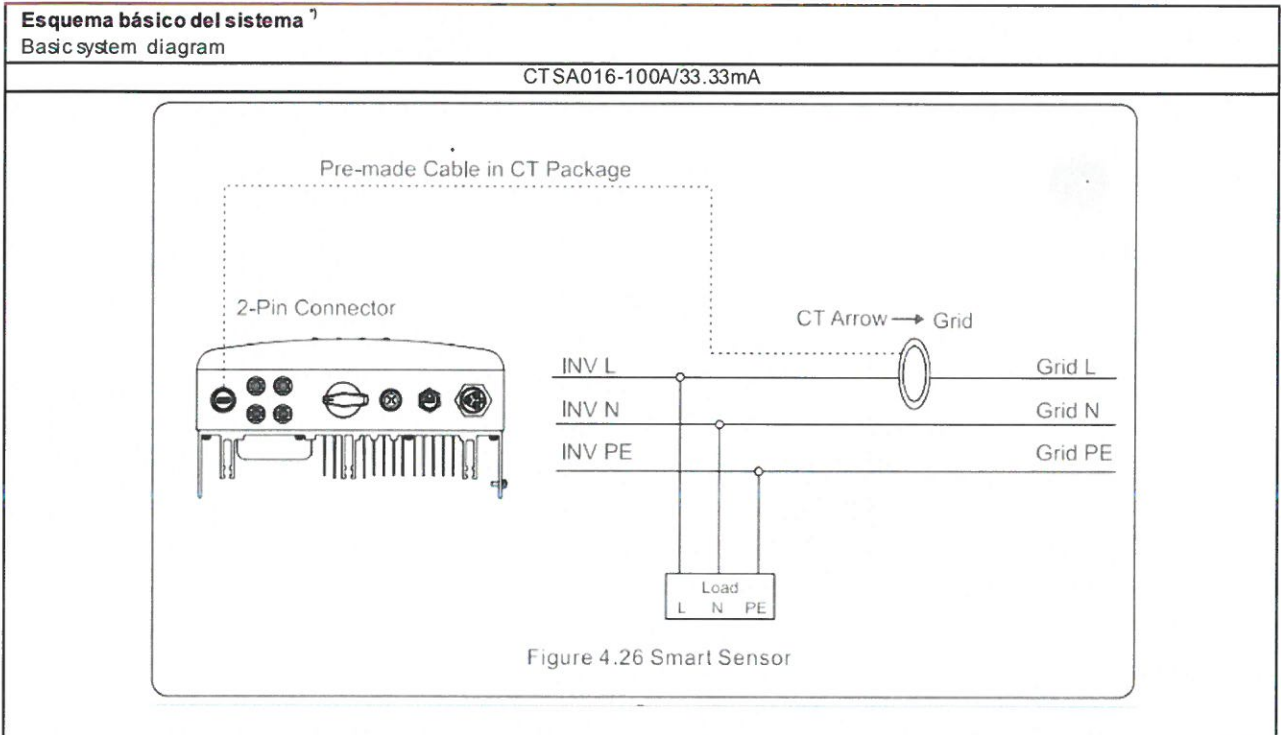
<b>Información general del transductor de corriente externo / medidor de potencia <sup>1</sup></b> General information of external current transductor/ power meter	
<b>Modelo</b> Model	ACR10R-D16TE
<b>Aplicación</b> Application	1 Phase
<b>Tensión nominal</b> Nominal voltage	230 Vac
<b>Corriente máxima</b> Max. current	120 A
<b>Clase de precisión</b> Class of accuracy	Class 1
<b>Tipo de comunicación</b> Type of communication	Meter

**Esquema básico del sistema <sup>1</sup>**  
Basic system diagram



**\*) Para cumplir los requisitos de RD244: 2019 / ANEXO I y UNE 217001:2020, se instalará el dispositivo adicional.**  
For fulfill the requirements of RD244 : 2019/ ANEXO I and UNE 217001:2020, the additional device shall be installed.

<b>Información general del transductor de corriente externo / medidor de potencia <sup>1</sup></b> General information of external current transductor/ power meter	
<b>Modelo</b> Model	CTSA016-100A/33.33mA
<b>Corriente máxima</b> Max. current	120 A
<b>Clase de precisión</b> Class of accuracy	Class 1
<b>Tipo de comunicación</b> Type of communication	CT



**\*) Para cumplir los requisitos de RD244:2019 / ANEXO I y UNE 217001:2020, se instalará el dispositivo adicional.**  
For fulfill the requirements of RD244 : 2019/ ANEXO I and UNE 217001:2020, the additional device shall be installed.

Ginlong technologies Co., Ltd.  
Zhang Kun

Date : 26.04.2021  
Our ref. : HCC 01  
Your ref.: Kun Zhang

No.57 Jintong Road, Binhai,  
(seafont), Industrial Park,  
Xiangshan Ningbo  
315712 Zhejiang  
P.R. China

**Ref : AK Certificate of Conformity**

Type of Equipment : Grid-connected PV Inverter  
Model Designation : See Certificate  
Certificate No. : AK 50502381 0001  
Report No. : 50213153 004

Dear Zhang Kun,

We herewith confirm that a sample of the above mentioned technical equipment has been tested and was found to be in accordance with the relevant requirements.

Enclosed please find your Certificate of Conformity.

We appreciate your kind support and would like to offer our assistance and continuous services in the future.

With kind regards,

Certification Body

  
Weichun Li

CC: Ginlong technologies Co., Ltd.

Enclosure

证书的详细资料请登陆[www.certipedia.com](http://www.certipedia.com)查阅,或拨打我司客服热线800 999 3668 / 400 883 1300咨询